

GARDEN CART

Owner s Manual

ITEM No. TC4205

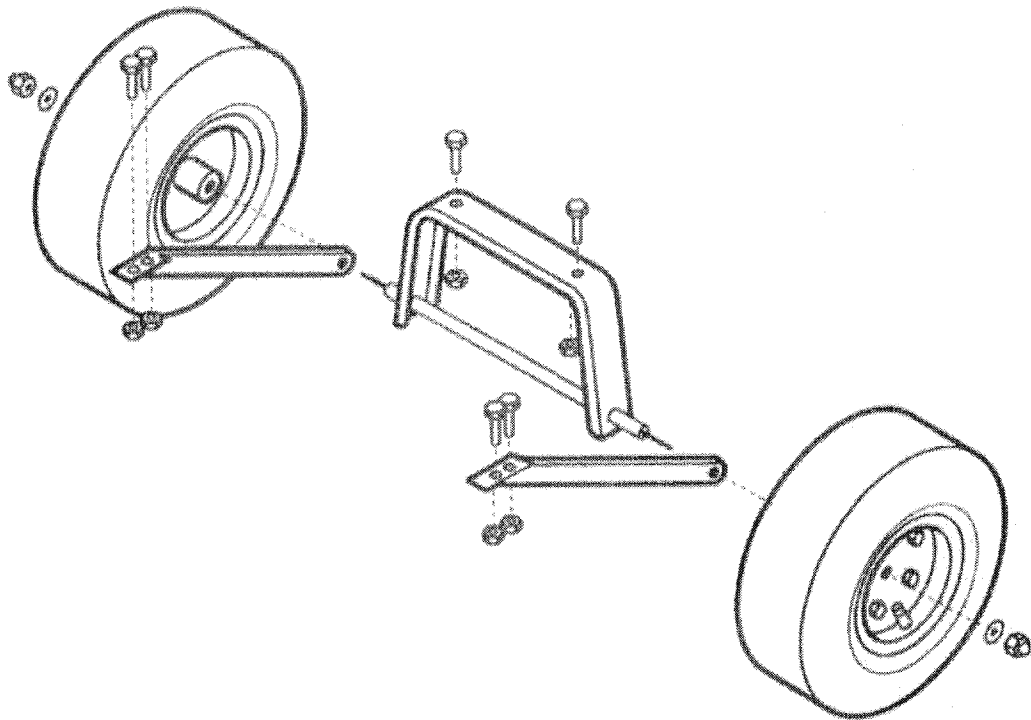
Assembly Instructions

Refer to the exploded drawing and the parts list during assembly.

STEP 1

Turn the cart BED (#1) upside down. Use the cardboard from the carton to keep from scratching or damaging the finish.

STEP 2 - REAR SUPPORT ASSEMBLY

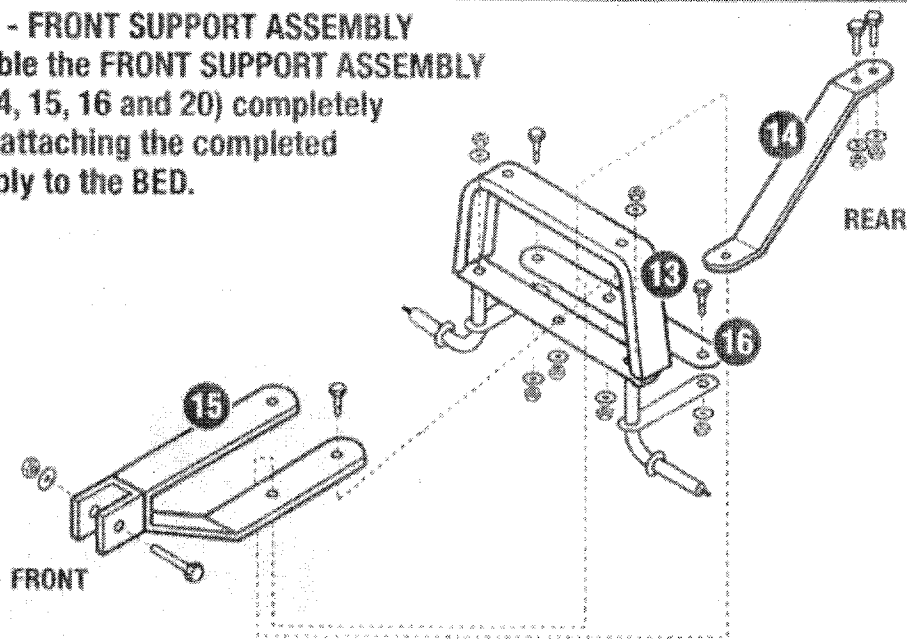


Attach the REAR AXLE SUPPORT (#10) to the BED using 2 each 8 x 20mm CARRIAGE SUPPORT BOLTS (#29) and 2 each 8mm NUTS (#25) and WASHERS (#24).

Then slide the LEFT (#11) and RIGHT (#12) SUPPORT BRACES on either side of the REAR AXLE SUPPORT and attach to the BED using 4 each 8 x 20mm CARRIAGE SUPPORT BOLTS (#29) and 4 each 8mm NUTS (#25) and WASHERS (#24). Tighten all nuts securely.

STEP 3 - FRONT SUPPORT ASSEMBLY

Assemble the FRONT SUPPORT ASSEMBLY (#13, 14, 15, 16 and 20) completely before attaching the completed assembly to the BED.



A. Attach the STEERING LINK CONNECTOR (#16) to the FRONT AXLE SUPPORT threading 2 each 8 x 20mm SHORT STEERING ASSEMBLY BOLTS (#29) through the top of the LINK CONNECTOR and AXLE SUPPORT; secure at bottom with 8mm WASHERS (#24) and 8mm NUTS (#25). **NOTE: Place the Steering Link Connector on top of the axle guides.**

B. Place the YOKE (#15), short side, onto the center stud of the Front Axle Support; place the long side UNDER the Front Axle Support and on TOP of the STEERING LINK CONNECTOR.

Secure the last hole on the long end of the Yoke to the STEERING LINK CONNECTOR (#16) using 1 each 8 x 20mm SHORT STEERING ASSEMBLY BOLT (#29), 6mm WASHER (#24) and 6mm NUT (#25).

C. Position the single-hole end of the CENTER FRONT AXLE BRACE (#14) on top of the Front Axle Support. (The Center Front Axle Brace should be angled up toward Bed).

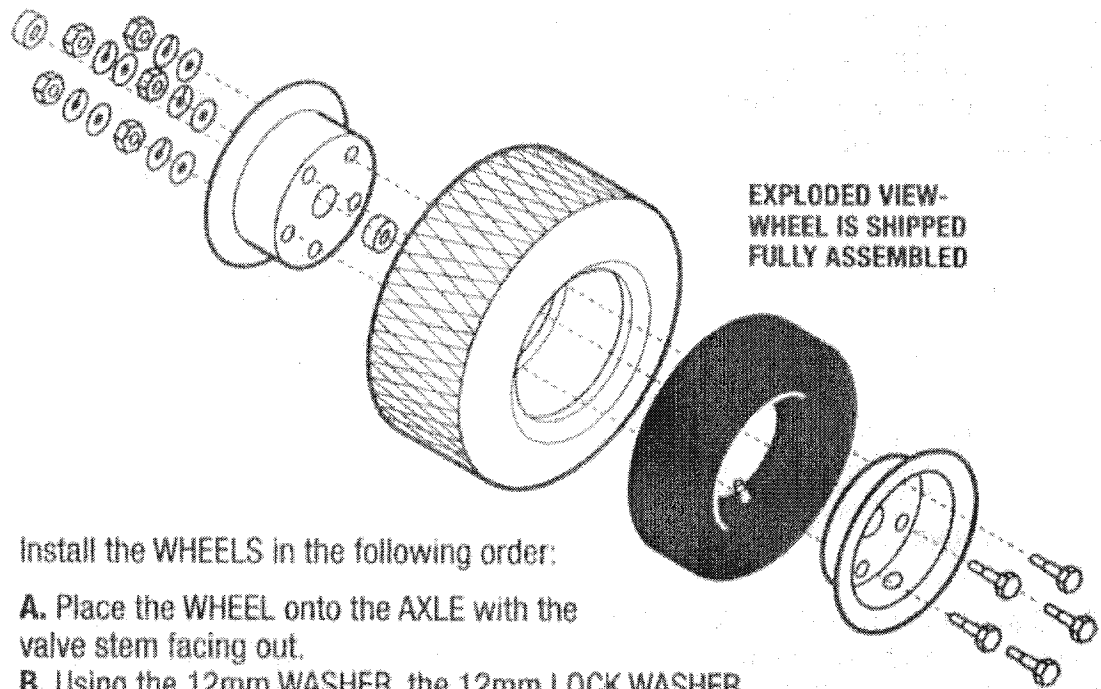
D. Position the CENTER SUPPORT (#20) first onto the center stud of the Front Axle Support (on top of the yoke) SECURING it with 1 - 12mm WASHER (#27) and COTTER PIN (#32); then over the center hole of the Front Axle Support (on top of the Center Front Axle Brace). **NOTE: Bend the ends of the Cotter Pin out and around the center stud to secure it.**

E. Align the holes in the CENTER SUPPORT, CENTER FRONT AXLE BRACE, AXLE SUPPORT and the YOKE (in this order) and secure using 1 each 8 x 25mm LONG STEERING ASSEMBLY BOLT (#31), 8mm WASHER (#24) and 8mm NUT (#25).

NOTE: Tighten all Steering Assembly Bolts snugly. DO NOT OVERTIGHTEN. BACK OFF EACH BOLT APPROXIMATELY 1/2 TURN TO ALLOW FOR SMOOTH STEERING OPERATION.

F. Assemble the completed Front Support Assembly to the Bed using 4 each 8 x 20mm CARRIAGE SUPPORT BOLTS (#29), NUTS (#25) and WASHERS (#24).

STEP 4 - WHEEL ASSEMBLY

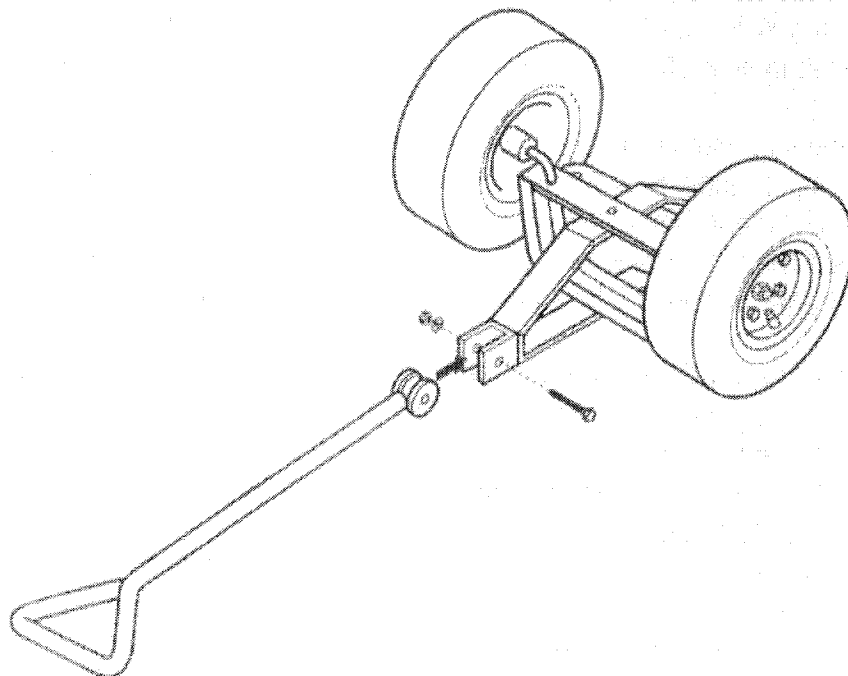


Install the WHEELS in the following order:

A. Place the WHEEL onto the AXLE with the valve stem facing out.

B. Using the 12mm WASHER, the 12mm LOCK WASHER and then the 12mm LOCK NUT to secure the WHEEL. Tighten Securely.

STEP 5



Turn the cart upright onto its wheels. Attach the PULL HANDLE and PLASTIC COUPLING using the 8 x 58mm PULL HANDLE BOLT (#30), 8mm WASHER (#24) and 8mm NUT (#25). Tighten nut and bolt securely and back off approximately 1/2 turn for smooth handle operation.

STEP 6

Attach the left and right LOCK HANDLES (#23) onto the front and rear fence panels using 8mm WASHERS (#24) and 8mm NUTS (#25). **NOTE: DO NOT FULLY TIGHTEN THE NUTS, THESE ARE TO BE ADJUSTED AFTER FINISHING THE FENCE ASSEMBLY.**

STEP 7

Assemble the front, back, left and right FENCES to the BED using the FENCE ASSEMBLY BOLTS (#21) and LOCK PINS (#22). Tighten each LOCK HANDLE SET snugly to allow for easy opening and closing of the 4 LOCK HANDLES.

NOTE: The TRACTOR PULL HANDLE CONNECTOR (#19) is to be used only when pulling the cart with a vehicle. Simply hook the CONNECTOR (#19) around the PULL HANDLE and link your vehicle using your vehicle's attachment. Do not tow on steep hills, do not tow more than 2 miles an hour. Make turns slowly to avoid damage to cart and contents.

Important Safety Instructions

DO NOT load your Industrial Garden Cart with more than 1500 lbs.

DO NOT inflate tires more than 32 psi.

DO NOT operate if any part is damaged or broken.

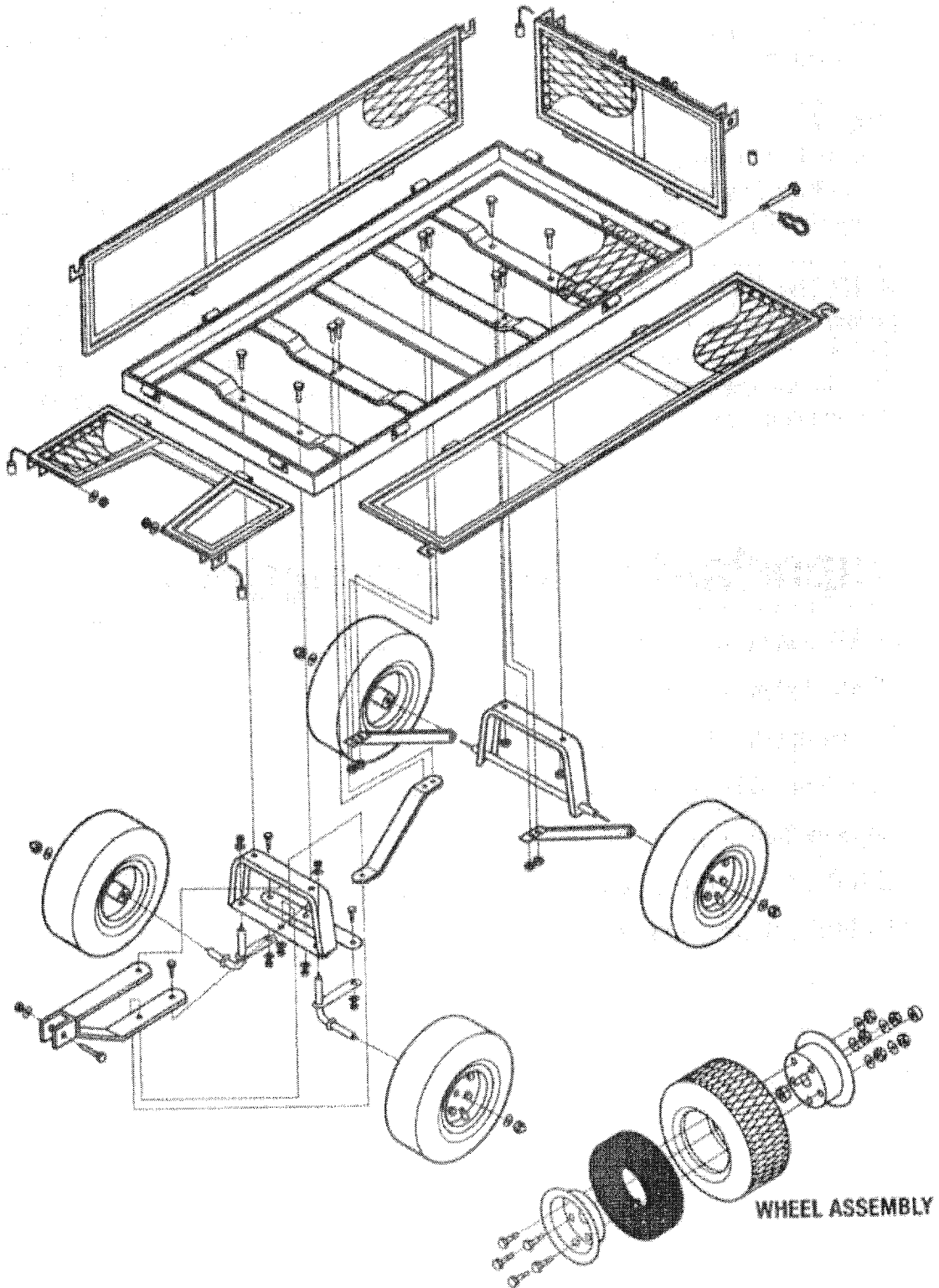
Lower fence rails when loading large items onto cart.

Distribute load evenly in cart bed.

DO NOT use on steep inclines where tipping may occur.

NOT FOR USE BY CHILDREN.

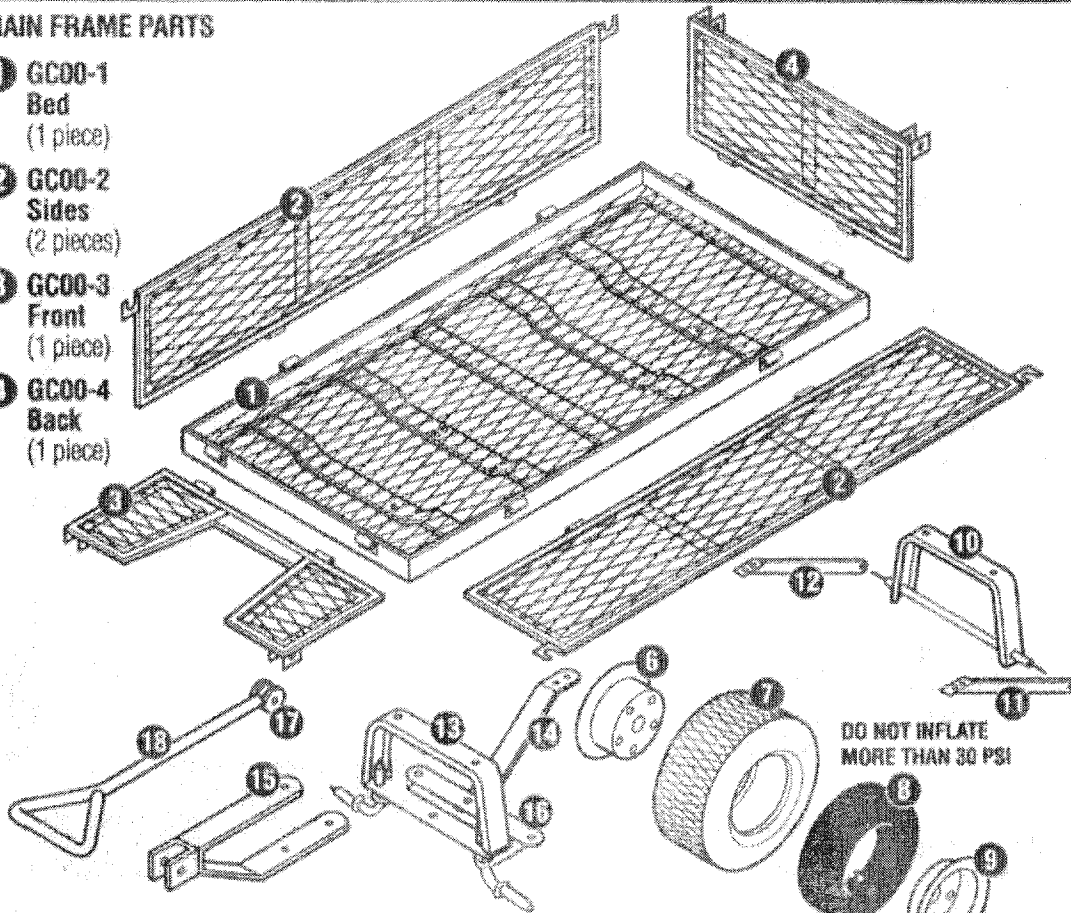
Exploded Drawing for Assembly



Parts Identification

MAIN FRAME PARTS

- ① GC00-1
Bed
(1 piece)
- ② GC00-2
Sides
(2 pieces)
- ③ GC00-3
Front
(1 piece)
- ④ GC00-4
Back
(1 piece)



WHEEL ASSEMBLY ⑤

- ⑥ GC00-6
Inner Hub w/2 Bearings
(4 pieces)
- ⑦ GC00-7
Tires
(4 pieces)
- ⑧ GC00-8
Tubes
(4 pieces)
- ⑨ GC00-9
Outer Hubs
(4 pieces)

REAR SUPPORT ASSEMBLY

- ⑩ GC00-10
Rear Axle Support
(1 piece)
- ⑪ GC00-11
Left Rear Axle Brace
(1 piece)
- ⑫ GC00-12
Right Rear Axle Brace
(1 piece)

FRONT SUPPORT ASSEMBLY

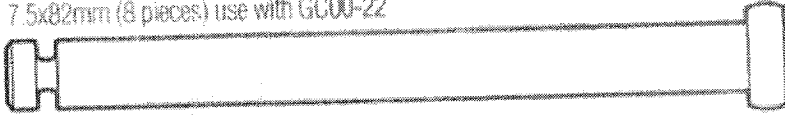
- ⑬ GC00-13
Front Axle Support
(1 piece)
- ⑭ GC00-14
Center Front Axle Brace
(1 piece)

- ⑮ GC00-15
Yoke
(1 piece)
- ⑯ GC00-16
Steering Link Connector
(1 piece)
- ⑰ GC00-17
Plastic Coupling
(1 piece)
- ⑱ GC00-18
Pull Handle
(1 piece)

DO NOT INFLATE
MORE THAN 30 PSI

Hardware Identification

GC00-21 Fence Assembly Bolts
7.5x82mm (8 pieces) use with GC00-22



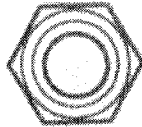
GC00-22 Lock Pin
(8 pieces)



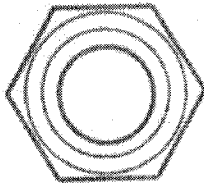
GC00-24 Washers
8mm (19 pieces)



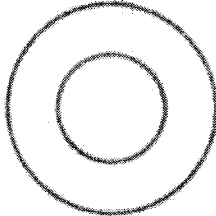
GC00-25 Nuts w/Lock Inserts
8mm (19 pieces)



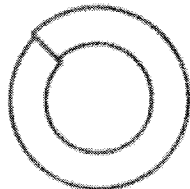
GC00-56 Wheel Lock Nuts
12mm (4 pieces)
use with GC00-27 & GC00-28



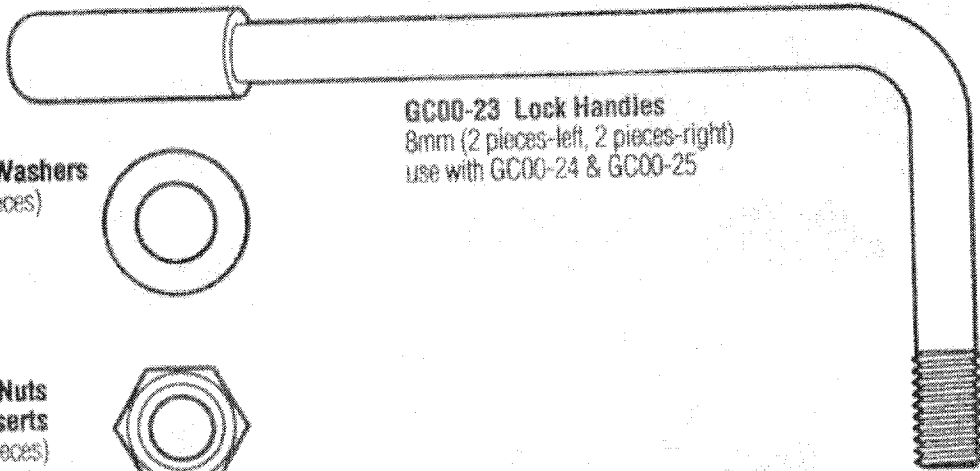
GC00-27 Washers
12mm (4 pieces)



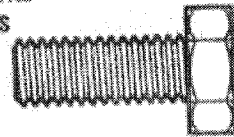
GC00-28 Wheel Lock Washers
12mm (4 pieces)



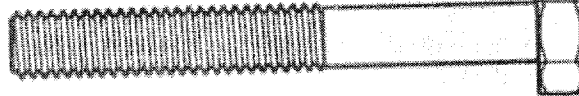
GC00-23 Lock Handles
8mm (2 pieces-left, 2 pieces-right)
use with GC00-24 & GC00-25



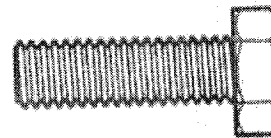
GC00-29 Carriage Support Bolts-Short Steering Assembly Bolts
8x20mm (13 pieces) use with GC00-24 & GC00-25



GC00-30 Pull Handle Bolt
8x58mm (1 piece) use with GC00-24 & GC00-25



GC00-31 Long Steering Assembly Shoulder Bolt
8x25mm (1 piece) use with GC00-24 & GC00-25



GC00-32 Lock Pin
(1 piece)



GC00-33 Retaining Washer
11mm (1 piece) use with GC00-32

